



JDB 固体镶嵌自润滑轴承 Solid Lubricating Inlaid Bearing

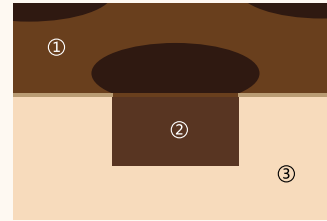
应用领域 / Application



JDB 固体镶嵌自润滑轴承 Solid Lubricating Inlaid Bearing



材料组织 Material Structure



1. 固体润滑膜
Solid lubricant film
2. 固体润滑剂
Solid lubricant plug
3. 铜合金基体
Bronze backing

结构特性 Structure Characteristics

铜合金镶嵌式固体润滑剂自润滑轴承，结合了铜合金的耐磨性及固体润滑剂的自润滑性能，使其在使用过程中无需加油维护。产品被广泛应用于高载、间歇性或摇摆运动，如汽机车生产流水线、水轮机、水库工作 / 事故门、塑胶机械、冲床周边设备等。根据使用的工况，可以提供各种类型的铜合金。

This bearing is a combination of wear resistance and self-lubricating properties of solid copper alloy body of lubricants to use in the process without refueling maintenance. Products are widely used in high load, intermittent or oscillating motion, such as automotive products line, water wheels machine, a reservoir / incident doors, plastic machinery, punch peripherals. Depending on the conditions, the material can be provided with various types of copper alloy.

产品应用 Application

注塑机模架、汽车模具、工程机械、液压油缸、大型齿轮箱、冶金连铸机、列车支架、轧钢设备、矿山机械、船舶、气轮机、吊车支撑、食品机械、水轮机轴承等

Injection molding machine mold, auto mold, engineering machinery, hydraulic cylinders, large gear boxes, metallurgy continuous casting machine, train bracket, steel rolling equipment, mining machinery, shipbuilding, gas turbines, crane support, food machinery, turbine bearings... etc

材料特点 Material Properties

- 可以长期使用而无需维护；
- 设计用于很高的静承载和动承载；
- 具有很低的且平稳的摩擦系数，无“粘着”现象；
- 具有耐粉尘、耐腐蚀、耐冲击和耐边缘负载能力；
- 金属基材具有很好的吸震能力；
- 能够在很宽的温度范围内使用；
- 适合于往复、旋转和摆动等启动频繁又难以形成油膜的场合；
- 具有极低的磨损率，使用寿命长。
- Allows maintenance-free and long-life operation;
- Suitable for high static and dynamic loads;
- With low and smoothly coefficient of friction and without stick-slip effects;
- Suitable for dirty, corrosion, impact load and edge loading;
- The base material provided a good shock-absorbing capacity;
- Can be used over a large temperature range;
- Suitable for reciprocating, rotating and oscillating movement with start frequency and difficulty to form oil film occasions;
- With low wear rate and long life service.



JDB 固体镶嵌自润滑轴承 Solid Lubricating Inlaid Bearing

实际运用中根据使用工况的不同，基体可以采用不同牌号的合金，产品范围包括：JDB-1、JDB-2、JDB-3、JDB-4、JDB-5各系列产品。

According to the different working conditions, different type of alloy can be chosen, product range includes JDB-1、JDB-2、JDB-3、JDB-4、JDB-5.

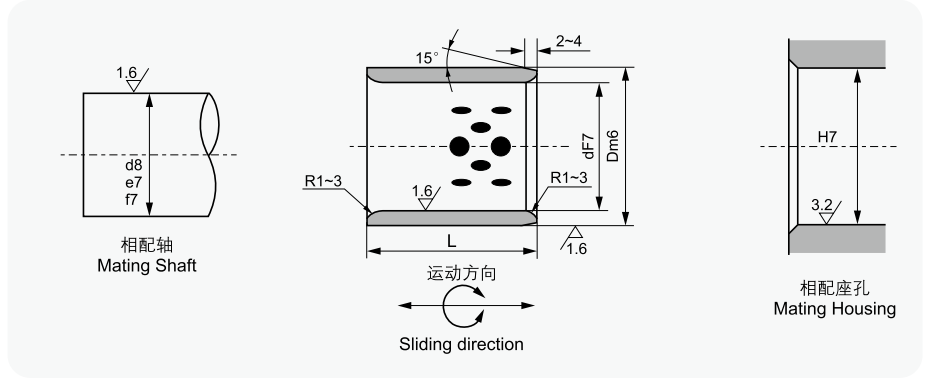
| 标准 Standard | 650#Strong cast bronze 高力黄铜 | 650S1 CuSn5Zn5Pb5 | 650S2 CuAl10Ni5Fe5 | 650S3 CuSn12 | 650S4 CuSn10Pb10 | 650S5 CuZn25Al5 |
|--|--|--|--|--|--|--|
| Cu% | 65 | 85 | 80 | 88 | 80 | 65 |
| Sn% | | 5 | | 12 | 10 | |
| Pb% | | 5 | | | 10 | |
| Zn% | 25 | 5 | | | | 25 |
| Ni% | | | 5 | | | |
| Al% | 6 | | 10 | | | 6 |
| Fe% | | | 5 | | | |
| Mn% | 4 | | | | | 4 |
| 密度 Density | 8.0 | 8.8 | 7.6 | 8.8 | 8.9 | 8.0 |
| 硬度 Hardness HB | >210 | >70 | >150 | >80 | >75 | >250 |
| 抗拉强度 Tensile Strength N/mm | >750 | >200 | >500 | >360 | >210 | >800 |
| 伸长率 Elongation% | >12 | >15 | >10 | >8 | >8 | >4 |
| 热胀系数 Coefficient of linear expansion | $1.9 \times 10^{-5} / ^\circ \text{C}$ | $1.8 \times 10^{-5} / ^\circ \text{C}$ | $1.6 \times 10^{-5} / ^\circ \text{C}$ | $1.8 \times 10^{-5} / ^\circ \text{C}$ | $1.8 \times 10^{-5} / ^\circ \text{C}$ | $1.9 \times 10^{-5} / ^\circ \text{C}$ |
| 温度 Limit Temp. | 300° C | 400° C | 400° C | 400° C | 400° C | 300° C |
| 最大动承载 Max.Load N/mm ² | 100 | 60 | 50 | 70 | 60 | 150 |
| 最大线速度 (Dry) Max.Speed m/min | 无润滑 dry 0.4m/s 油润滑 oil 5m/s | 10 | 20 | 10 | 10 | 10 |
| 最大 PV Max.PV N/mm ² *m/min | 200 | 200 | 200 | 200 | 200 | 200 |
| 压缩永久变形量 400N/mm | <0.01 | <0.01 | <0.05 | <0.04 | <0.01 | <0.05 |

固体润滑剂 Solid Lubricants

| 固体润滑剂 Lubricant | 特性 Features | 典型用途 Typical application |
|---|---|--|
| 高纯石墨+添加剂 Graphite+add  | 很好的耐磨性和化学稳定性，使用温度 < 400°C Good wear performance and chemical stability, temperature limit 400°C | 应用于一般机械，在大气中使用 Suit for general machines and under atmosphere |
| PTFE+添加剂 PTFE+add  | 极低的摩擦系数和很好的水润滑性，使用温度 < 300°C Lowest friction coefficient and good water lubrication, temperature limit 300°C | 应用于水、海水润滑，如船舶 Suit for water and seawater lubricant, such as ship |

JDB 固体镶嵌自润滑轴承标准公制尺寸

JDB Solid Self-Lubricating Inlaid Bearing Standard Metric Size



单位Unit: mm

| d | D | dF7 | Dm6 | L ^{-0.10} / _{-0.30} | | | | | | | | | | | | | | | |
|----|----|-----|-----|---------------------------------------|------------------|------------------|--------|--------|--------|--------|--------|--------|--------|--------|--------|--------|--------|--------|--------|
| | | | | 8 | 10 | 12 | 15 | 16 | 20 | 25 | 30 | 35 | 40 | 50 | 60 | 70 | 80 | | |
| 8 | 12 | 8 | 12 | +0.028 +0.013 | 081208 | 081210 | 081212 | 081215 | | | | | | | | | | | |
| 10 | 14 | 10 | | | 14 | +0.018 +0.007 | 101408 | 101410 | 101412 | 101415 | 101416 | 101420 | | | | | | | |
| 12 | 18 | 12 | 18 | +0.034 +0.016 | | 121810 | 121812 | 121815 | 121816 | 121820 | 121825 | 121830 | | | | | | | |
| 13 | 19 | 13 | 19 | | | 131910 | 131912 | 131915 | 131916 | 131920 | 131925 | 131930 | | | | | | | |
| 14 | 20 | 14 | 20 | | | 142010 | 142012 | 142015 | 142016 | 142020 | 142025 | 142030 | | | | | | | |
| 15 | 21 | 15 | 21 | | | 152110 | 152112 | 152115 | 152116 | 152120 | 152125 | 152130 | 152135 | | | | | | |
| 16 | 22 | 16 | 22 | | +0.021 +0.008 | 162210 | 162212 | 162215 | 162216 | 162220 | 162225 | 162230 | 162235 | 162240 | | | | | |
| 18 | 24 | 18 | 24 | | | 182410 | 182412 | 182415 | 182416 | 182420 | 182425 | 182430 | 182435 | 182440 | | | | | |
| 20 | 28 | 20 | 28 | | +0.041 +0.020 | 202810 | 202812 | 202815 | 202816 | 202820 | 202825 | 202830 | 202835 | 202840 | 202850 | | | | |
| 22 | 32 | 22 | 32 | | | | | 223212 | 223215 | 223216 | 223220 | 223225 | 223230 | 223235 | 223240 | 223250 | | | |
| 25 | 33 | 25 | 33 | | | | | 253312 | 253315 | 253316 | 253320 | 253325 | 253330 | 253335 | 253340 | 253350 | 253360 | | |
| 30 | 38 | 30 | 38 | | | | | 303812 | 303815 | 303816 | 303820 | 303825 | 303830 | 303835 | 303840 | 303850 | 303860 | | |
| 35 | 45 | 35 | 45 | +0.025 +0.009 | | | | | | 354520 | 354525 | 354530 | 354535 | 354540 | 354550 | 354560 | 354570 | | |
| 40 | 50 | 40 | 50 | | | | | | | | 405020 | 405025 | 405030 | 405035 | 405040 | 405050 | 405060 | 405070 | 405080 |
| 45 | 55 | 45 | 55 | | | +0.050 +0.025 | | | | | | | 455530 | 455535 | 455540 | 455550 | 455560 | 455570 | 455580 |
| 50 | 60 | 50 | 60 | | | | | | | | | | | 506030 | 506035 | 506040 | 506050 | 506060 | 506070 |

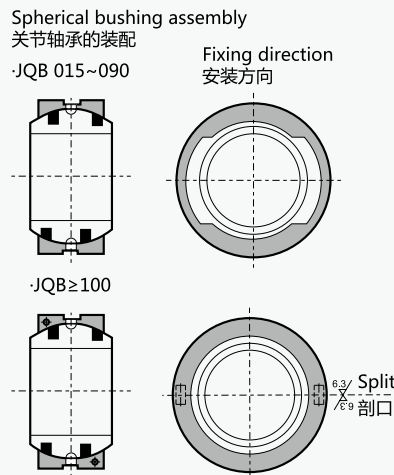
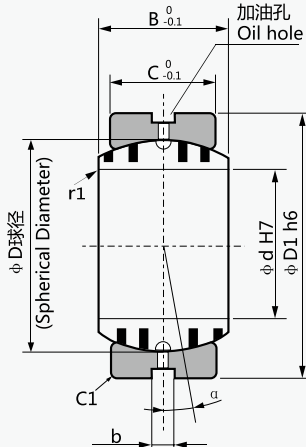
JDB 固体镶嵌自润滑轴承标准公制尺寸
JDB Solid Self-Lubricating Inlaid Bearing Standard Metric Size

| d | D | dF7 | Dm6 | L $\begin{matrix} -0.10 \\ -0.30 \end{matrix}$ | | | | | | | | | | | |
|-----|-----|--|-----|--|--|-----------|-----------|-----------|-----------|-----------|-----------|-----------|-----------|-----------|-----------|
| | | | | 30 | 35 | 40 | 50 | 60 | 70 | 80 | 100 | 120 | 130 | 140 | 150 |
| 50 | 62 | 50 | 62 | 506230 | 506235 | 506240 | 506250 | 506260 | 506270 | | | | | | |
| | | $\begin{matrix} +0.050 \\ +0.025 \end{matrix}$ | | | | | | | | | | | | | |
| 50 | 65 | 50 | 65 | 506530 | 506535 | 506540 | 506550 | 506560 | 506570 | 506580 | 5065100 | | | | |
| 55 | 70 | 55 | 70 | 557030 | 557035 | 557040 | 557050 | 557060 | 557070 | 557080 | 5570100 | | | | |
| 60 | 74 | 60 | 75 | $\begin{matrix} +0.030 \\ +0.011 \end{matrix}$ | 607430 | 607435 | 607440 | 607450 | 607460 | 607470 | 607480 | 6074100 | | | |
| 60 | 75 | 60 | | | 607530 | 607535 | 607540 | 607550 | 607560 | 607570 | 607580 | 6075100 | | | |
| 63 | 75 | 63 | 75 | | 637535 | 637540 | 637550 | 637560 | 637570 | 637580 | 6375100 | | | | |
| 65 | 80 | 65 | 80 | | 658035 | 658040 | 658050 | 658060 | 658070 | 658080 | 6580100 | | | | |
| 70 | 85 | 70 | 85 | $\begin{matrix} +0.060 \\ +0.030 \end{matrix}$ | 708535 | 708540 | 708550 | 708560 | 708570 | 708580 | 7085100 | | | | |
| 70 | 90 | 70 | | | 709035 | 709040 | 709050 | 709060 | 709070 | 709080 | 7090100 | | | | |
| 75 | 90 | 75 | 90 | | | 759040 | 759050 | 759060 | 759070 | 759080 | 7590100 | | | | |
| 75 | 95 | 75 | 95 | $\begin{matrix} +0.035 \\ +0.013 \end{matrix}$ | | 759540 | 759550 | 759560 | 759570 | 759580 | 7595100 | 7595120 | | | |
| 80 | 96 | 80 | | | 809640 | 809650 | 809660 | 809670 | 809680 | 8096100 | 8096120 | 8096130 | | | |
| 80 | 100 | 80 | 100 | | | 8010040 | 8010050 | 8010060 | 8010070 | 8010080 | 80100100 | 80100120 | 80100130 | 80100140 | |
| 90 | 110 | 90 | 110 | | | | 9011050 | 9011060 | 9011070 | 9011080 | 90110100 | 90110120 | 90110130 | 90110140 | |
| 100 | 120 | 100 | 120 | $\begin{matrix} +0.071 \\ +0.036 \end{matrix}$ | | | | 10012060 | 10012070 | 10012080 | 100120100 | 100120120 | 100120130 | 100120140 | |
| 110 | 130 | 110 | | | | | | | | | | 11013080 | 110130100 | 110130120 | 110130130 |
| 120 | 140 | 120 | 140 | | | | | | | 12014080 | 120140100 | 120140120 | 120140130 | 120140140 | |
| 125 | 145 | 125 | 145 | | | | | | | | 125145100 | 125145120 | 125145130 | 125145140 | |
| 130 | 150 | 130 | 150 | $\begin{matrix} +0.040 \\ +0.015 \end{matrix}$ | | | | | | | 130150100 | 130150120 | 130150130 | 130150140 | 130150150 |
| 140 | 160 | 140 | | | $\begin{matrix} +0.083 \\ +0.043 \end{matrix}$ | 140160100 | 140160120 | 140160130 | 140160140 | 140160150 | | | | | |
| 150 | 170 | 150 | 170 | | | | | | | | 150170100 | 150170120 | 150170130 | 150170140 | 150170150 |
| 160 | 180 | 160 | 180 | | | | | | | | 160180100 | 160180120 | 160180130 | 160180140 | 160180150 |

JQB 标准自润滑球铰 JQB Oilless Spherical Plain Bearing



内圈 Inner ring
材料: 高力黄铜+固体润滑剂
Material: CuZn25Al5Mn3Fe3
+Graphite (500#SP)
外圈 Outer ring
材料 Material: S45C
硬度 Hardness: HRC 25~30

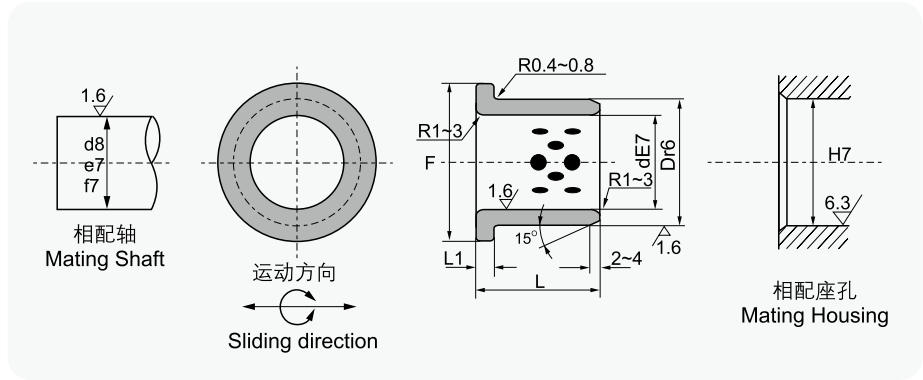


单位Unit: mm

| 产品代号 Part No. | d | H7 | D1 | h6 | B | C | D | b | 调整角度 Alignment Angle α° | 径向承载Allowable Radial Load (kN) | 径向承载Allowable Thrust Load (kN) |
|------------------|-----|----------------------------------|-----|----------------------------------|-----|-----|-----|---|-------------------------------|-----------------------------------|-----------------------------------|
| JQB-015 | 15 | ^{+0.018} / ₀ | 26 | ⁰ / _{-0.013} | 12 | 9 | 22 | 4 | 8 | 6.5 | 0.5 |
| JQB-020 | 20 | ^{+0.021} / ₀ | 32 | ⁰ / _{-0.016} | 16 | 14 | 28 | " | 4 | 12.6 | 1.4 |
| JQB-025 | 25 | " | 42 | " | 21 | 18 | 36 | " | 5 | 21.8 | 2.5 |
| JQB-030 | 30 | " | 50 | " | 27 | 23 | 44 | " | 6 | 32.0 | 3.5 |
| JQB-035 | 35 | ^{+0.025} / ₀ | 55 | ⁰ / _{-0.019} | 30 | 26 | 49 | " | 5 | 43.7 | 4.8 |
| JQB-040 | 40 | " | 62 | " | 33 | 28 | 55 | " | 6 | 54.7 | 5.7 |
| JQB-045 | 45 | " | 72 | " | 36 | 31 | 62 | " | 5 | 69.7 | 7.2 |
| JQB-050 | 50 | " | 80 | " | 42 | 36 | 70 | " | " | 92.4 | 10 |
| JQB-060 | 60 | ^{+0.030} / ₀ | 100 | ⁰ / _{-0.022} | 53 | 45 | 90 | " | 6 | 143 | 16 |
| JQB-070 | 70 | " | 110 | " | 58 | 50 | 99 | " | 5 | 181 | 20 |
| JQB-080 | 80 | " | 130 | " | 70 | 60 | 115 | " | 6 | 254 | 30 |
| JQB-090 | 90 | ^{+0.035} / ₀ | 140 | ⁰ / _{-0.025} | 76 | 65 | 125 | " | " | 313 | 36 |
| JQB-100 | 100 | " | 160 | " | 88 | 75 | 145 | 6 | " | 544 | 64 |
| JQB-110 | 110 | " | 170 | " | 93 | 80 | 155 | " | 5 | 642 | 73 |
| JQB-120 | 120 | " | 190 | ⁰ / _{-0.029} | 105 | 90 | 17 | " | 6 | 797 | 94 |
| JQB-130 | 130 | ^{+0.040} / ₀ | 200 | " | 110 | 95 | 180 | " | 5 | 880 | 105 |
| JQB-140 | 140 | " | 210 | " | 90 | 70 | " | " | 7 | 668 | 56 |
| JQB-150 | 150 | " | 220 | " | 120 | 105 | 200 | " | 5 | 1135 | 129 |
| JQB-160 | 160 | " | 230 | " | 105 | 80 | " | " | 8 | 891 | 73 |
| JQB-180 | 180 | " | 260 | ⁰ / _{-0.032} | 105 | " | 225 | " | 6 | 1002 | 74 |
| JQB-200 | 200 | ^{+0.046} / ₀ | 290 | " | 130 | 100 | 250 | " | 7 | 1434 | 117 |
| JQB-220 | 220 | " | 320 | ⁰ / _{-0.036} | 135 | " | 275 | " | 8 | 1577 | 118 |
| JQB-240 | 240 | " | 340 | " | 140 | " | 300 | 9 | " | 1720 | " |
| JQB-260 | 260 | ^{+0.052} / ₀ | 370 | " | 150 | 110 | 325 | " | 7 | 2072 | 143 |
| JQB-280 | 280 | " | 400 | " | 155 | 120 | 350 | " | 6 | 2455 | 172 |
| JQB-300 | 300 | " | 430 | ⁰ / _{-0.040} | 165 | 120 | 375 | " | 7 | 2630 | " |

JFB 固体镶嵌自润滑翻边轴承标准公制尺寸

JFB Solid Self-Lubricating Inlaid Flange Bearing Standard Metric Size

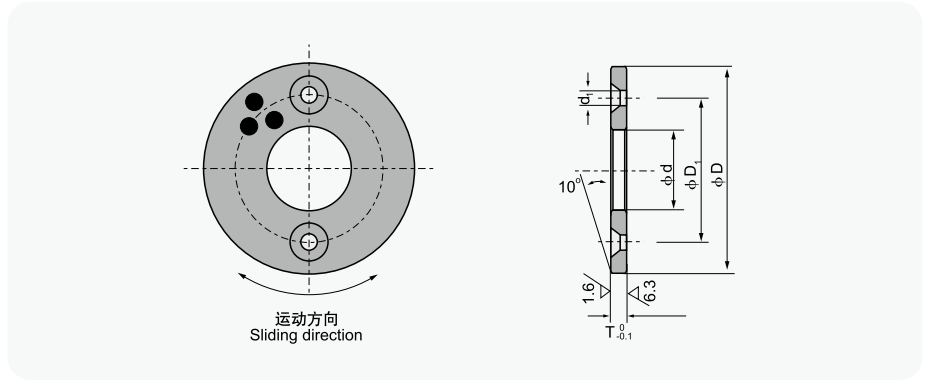


单位Unit: mm

| d | D | dE7 | | Dr6 | | F | L ₁ | L ^{-0.10} _{-0.30} | | | | | | | | | | | | | | |
|-----|-----|-----|------------------|-----|------------------|-----|----------------|-------------------------------------|------|------|------|------|------|------|------|-------|-------|--------|--------|--|--|--|
| | | | | | | | | 15 | 20 | 25 | 30 | 35 | 40 | 50 | 60 | 80 | 100 | | | | | |
| 10 | 14 | 10 | +0.040 +0.025 | 14 | +0.034 +0.023 | 22 | 2 | 1015 | 1020 | | | | | | | | | | | | | |
| 12 | 18 | 12 | | 18 | | 25 | 3 | 1215 | 1220 | | | | | | | | | | | | | |
| 13 | 19 | 13 | | 19 | | 26 | | 1315 | 1320 | | | | | | | | | | | | | |
| 14 | 20 | 14 | +0.050 +0.032 | 20 | | 27 | | 1415 | 1420 | 1425 | | | | | | | | | | | | |
| 15 | 21 | 15 | | 21 | +0.041 +0.028 | 28 | | 1515 | 1520 | 1525 | 1530 | | | | | | | | | | | |
| 16 | 22 | 16 | | 22 | | 29 | | 1615 | 1620 | 1625 | 1630 | | | | | | | | | | | |
| 20 | 30 | 20 | | 30 | | 40 | | | 2020 | 2025 | 2030 | 2035 | | | | | | | | | | |
| 25 | 35 | 25 | +0.061 +0.040 | 35 | | 45 | 5 | | 2520 | 2525 | 2530 | 2535 | 2540 | | | | | | | | | |
| 30 | 40 | 30 | | 40 | +0.050 +0.034 | 50 | | | 3020 | 3025 | 3030 | 3035 | 3040 | 3050 | | | | | | | | |
| 35 | 45 | 35 | | 45 | | 60 | | | | 3525 | 3530 | 3535 | 3540 | 3550 | | | | | | | | |
| 40 | 50 | 40 | | 50 | | 65 | | | | | 4030 | 4035 | 4040 | 4050 | | | | | | | | |
| 45 | 55 | 45 | +0.075 +0.050 | 55 | | 70 | | | | | 4530 | 4535 | 4540 | 4550 | 4560 | | | | | | | |
| 50 | 60 | 50 | | 60 | +0.060 +0.041 | 75 | | | | | | 5035 | 5040 | 5050 | 5060 | | | | | | | |
| 55 | 65 | 55 | | 65 | | 80 | | | | | | | 5540 | 5550 | 5560 | | | | | | | |
| 60 | 75 | 60 | | 75 | +0.062 +0.043 | 90 | | 7.5 | | | | | 6040 | 6050 | 6060 | 6080 | | | | | | |
| 70 | 85 | 70 | +0.090 +0.060 | 85 | | 105 | | | | | | | | | 7050 | 7060 | 7080 | | | | | |
| 75 | 90 | 75 | | 90 | +0.073 +0.051 | 110 | | | | | | | | | 7550 | 7560 | 7580 | 75100 | | | | |
| 80 | 100 | 80 | | 100 | | 120 | 10 | | | | | | | | 8060 | 8080 | 80100 | | | | | |
| 90 | 110 | 90 | | 110 | | 130 | | | | | | | | | | 9060 | 9080 | 90100 | | | | |
| 100 | 120 | 100 | +0.107 +0.072 | 120 | +0.076 +0.054 | 150 | | | | | | | | | | 10060 | 10080 | 100100 | | | | |
| 120 | 140 | 120 | | 140 | +0.088 +0.063 | 170 | | | | | | | | | | | 12060 | 12080 | 120100 | | | |

JTW 固体自润滑止推垫片标准公制尺寸

JTW Solid Self-Lubricating Thrust Washer Standard Metric Size

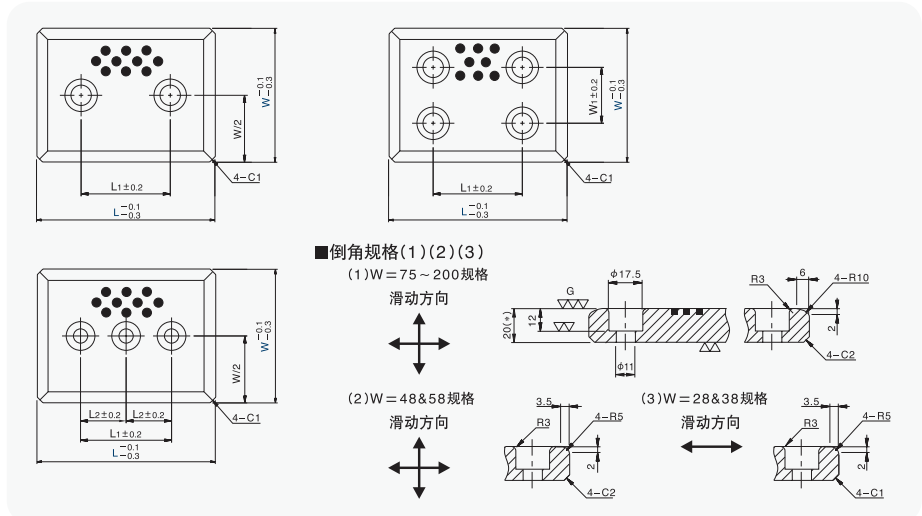


单位Unit: mm

| 型号规格 Standard No. | ϕd | ϕD | $T_{-0.1}^0$ | 螺孔 Bolt Hole | | | |
|----------------------|----------|----------|--------------|--------------|-------------------|------------|-------------------|
| | | | | ϕD_1 | 平头螺钉 Crop Bolt | ϕd_1 | 孔数 Bore Number |
| JTW-10 | 10.2 | 30 | | 20 | | | |
| JTW-12 | 12.2 | | | | | | |
| JTW-13 | 13.2 | 40 | | 28 | | | |
| JTW-14 | 14.2 | | 3 | | M3 | 3.5 | |
| JTW-15 | 15.2 | | | | | | |
| JTW-16 | 16.2 | 50 | | 35 | | | |
| JTW-18 | 18.2 | | | | | | 2 |
| JTW-20 | 20.2 | | | | | | |
| JTW-25 | 25.2 | 55 | 5 | 40 | M5 | 6 | |
| JTW-30 | 30.2 | 60 | | 45 | | | |
| JTW-35 | 35.2 | 70 | | 50 | | | |
| JTW-40 | 40.2 | 80 | 7 | 60 | | | |
| JTW-45 | 45.3 | 90 | | 70 | M6 | 7 | |
| JTW-50 | 50.3 | 100 | | 75 | | | |
| JTW-55 | 55.3 | 110 | 8 | 85 | | | |
| JTW-60 | 60.3 | 120 | | 90 | | | |
| JTW-65 | 65.3 | 125 | | 95 | | | |
| JTW-70 | 70.3 | 130 | | 100 | M8 | 9 | 4 |
| JTW-75 | 75.3 | 140 | | 110 | | | |
| JTW-80 | 80.3 | 150 | 10 | 120 | | | |
| JTW-90 | 90.5 | 170 | | 140 | | | |
| JTW-100 | 100.5 | 190 | | 160 | M10 | 11 | |
| JTW-120 | 120.5 | 200 | | 175 | | | |

JHW 钢铜复合自润滑板公制尺寸

JHW Steel-Copper Composite Self-Lubricating Plates Standard Metric Sizes

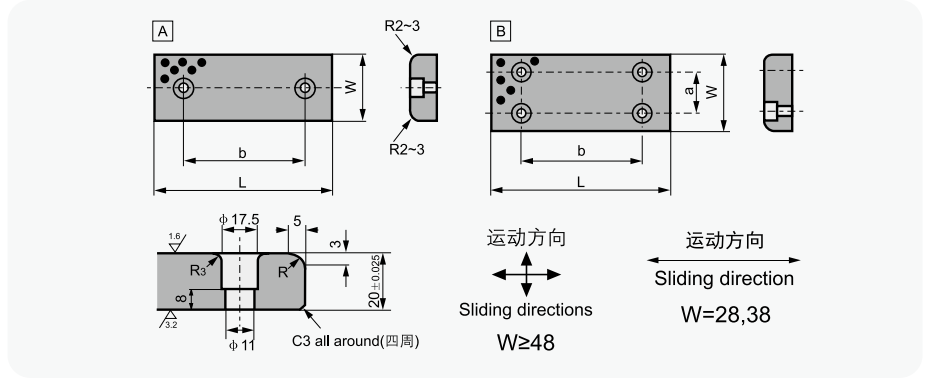


单位Unit: mm

| 代码编号 Code No. | | L | W ₁ | L ₁ | L ₂ | 螺栓孔数量 Number of Bolt Holes | |
|--------------------------------|-----|-----|----------------|----------------|----------------|----------------------------|---------|
| 代码 Code | W | | | | | JHW-SP | JHW-SPW |
| JHW-SP | 28 | 75 | - | 45 | - | 2 | |
| | | 100 | | | | | |
| | | 125 | | | | | |
| | | 150 | | | | | |
| | | 200 | | | | | |
| | | 250 | | | | | |
| | 38 | 75 | - | 45 | - | 2 | |
| | | 100 | | | | | |
| | | 125 | | | | | |
| | | 150 | | | | | |
| | | 200 | | | | | |
| | | 250 | | | | | |
| | 48 | 75 | - | 45 | - | 2 | |
| | | 100 | | | | | |
| | | 125 | | | | | |
| | | 150 | | | | | |
| | | 200 | | | | | |
| | | 250 | | | | | |
| | 58 | 75 | - | 45 | - | 2 | |
| | | 100 | | | | | |
| | | 125 | | | | | |
| | | 150 | | | | | |
| | | 200 | | | | | |
| | | 250 | | | | | |
| 75 | 75 | - | 25 | - | 2 | | |
| | 100 | | | | | | |
| | 125 | | | | | | |
| | 150 | | | | | | |
| | 200 | | | | | | |
| | 250 | | | | | | |
| JHW-SP JHW-SPW (螺栓 2 孔型) | 100 | 100 | 50 | 50 | - | 4 | 2 |
| | | 125 | | | | | |
| | | 150 | | | | | |
| | | 200 | | | | | |
| | | 250 | | | | | |
| | | 300 | | | | | |
| | 125 | 125 | 50 | 75 | - | 4 | 2 |
| | | 150 | | | | | |
| | | 200 | | | | | |
| | | 250 | | | | | |
| | | 300 | | | | | |
| | | 350 | | | | | |
| 150 | 150 | 100 | 100 | - | 4 | 2 | |
| | 200 | | | | | | |
| | 250 | | | | | | |
| | 300 | | | | | | |
| | 200 | | | | | | |
| | 250 | | | | | | |
| 200 | 200 | 150 | 150 | - | 4 | 2 | |
| | 250 | | | | | | |
| | 200 | | | | | | |
| | 250 | | | | | | |
| | 300 | | | | | | |
| | 250 | | | | | | |

JESW 铜基自润滑滑块标准公制尺寸

JESW Copper Based Self-Lubricating Slider Standard Metric Size



单位Unit: mm

| 型号规格 Standard No. | W | L | a | b | 图示 Sketch |
|----------------------|-----|-----|-----|-----|--------------|
| JESW-28×75 | 28 | 75 | - | 45 | A |
| JESW-28×100 | | 100 | | 50 | |
| JESW-28×150 | | 150 | | 100 | |
| JESW-38×75 | 38 | 75 | - | 45 | |
| JESW-38×100 | | 100 | | 50 | |
| JESW-38×150 | | 150 | | 100 | |
| JESW-48×75 | 48 | 75 | - | 45 | |
| JESW-48×100 | | 100 | | 50 | |
| JESW-48×125 | | 125 | | 75 | |
| JESW-48×150 | | 150 | | 100 | |
| JESW-48×200 | | 200 | | 150 | |
| JESW-58×75 | 58 | 75 | - | 45 | |
| JESW-58×100 | | 100 | | 50 | |
| JESW-58×150 | | 150 | | 100 | |
| JESW-75×75 | 75 | 75 | - | 25 | |
| JESW-75×100 | | 100 | | 50 | |
| JESW-75×125 | | 125 | | 75 | |
| JESW-75×150 | | 150 | | 100 | |
| JESW-75×200 | | 200 | | 150 | |
| JESW-100×100 | 100 | 100 | 50 | 50 | |
| JESW-100×125 | | 125 | | 75 | |
| JESW-100×150 | | 150 | | 100 | |
| JESW-100×200 | | 200 | | 150 | |
| JESW-100×300 | | 300 | | 200 | |
| JESW-125×125 | 125 | 125 | 50 | 75 | |
| JESW-125×150 | | 150 | | 100 | |
| JESW-125×200 | | 200 | | 150 | |
| JESW-125×250 | | 250 | | 200 | |
| JESW-125×300 | | 300 | | 200 | |
| JESW-150×150 | 150 | 150 | 100 | 100 | |
| JESW-150×200 | | 200 | | 150 | |
| JESW-150×250 | | 250 | | 200 | |