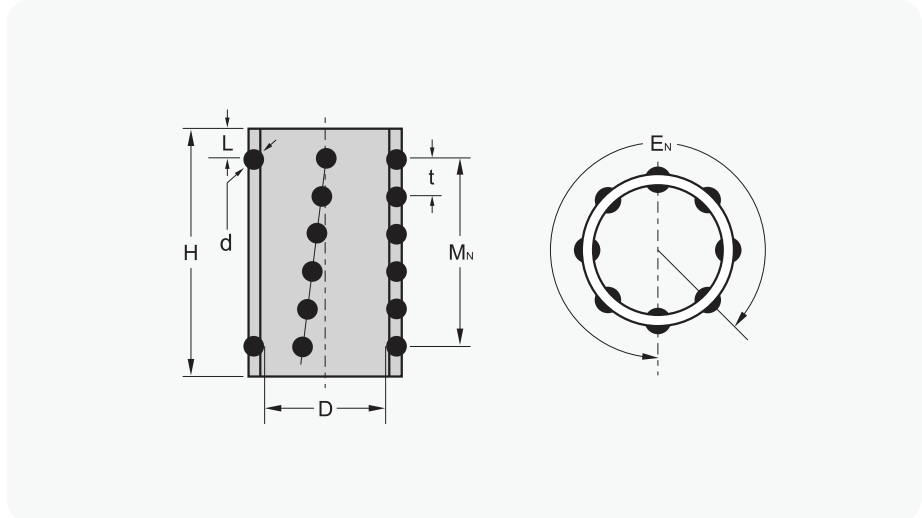


FZ 钢球保持架 FZ Ball Retainer Bearing



铜合金保持架 FZH
铝合金保持架 FZL
POM树脂保持架 FZP



单位Unit: mm

产品代号 Part No.	D	H	d	E _N	M _N	球 BALLS	t	L
FZ(*)1950	19	50	3	12	8	96	5.5	5.75
FZ(*)1960	"	60	"	"	10	120	"	5.25
FZ(*)2050	20	50	"	"	8	96	"	5.75
FZ(*)2060	"	60	"	"	10	120	"	5.25
FZ(*)2250	22	50	"	14	8	112	"	5.75
FZ(*)2260	"	60	"	"	10	140	"	5.25
FZ(*)2360	23	60	"	"	10	208	"	5.25
FZ(*)2475	24	75	"	16	13	128	"	4.50
FZ(*)2550	25	50	"	"	8	112	"	5.75
FZ(*)2560	"	60	"	"	10	160	"	5.25
FZ(*)2575	"	75	"	"	13	208	"	4.50
FZ(*)2775	27	75	"	"	13	208	"	4.50
FZ(*)2860	28	60	4	14	8	112	6.5	7.25
FZ(*)2875	"	75	"	"	11	154	"	5.00
FZ(*)3060	30	60	"	"	8	112	"	7.25
FZ(*)3075	"	75	"	"	11	154	"	5.00
FZ(*)3260	32	60	"	16	8	128	"	7.25
FZ(*)3275	"	75	"	"	11	192	"	5.00
FZ(*)3390	"	90	"	"	13	208	"	6.00
FZ(*)3685	36	85	"	"	12	192	"	6.75
FZ(*)3690	"	90	5	"	13	208	8.0	6.00
FZ(*)3870	38	70	"	"	8	128	"	7.00
FZ(*)3890	"	90	"	"	11	176	"	5.00
FZ(*)4090	40	90	"	"	11	176	"	5.00
FZ(*)4590	45	90	"	18	11	198	"	5.00
FZ(*)45110	"	110	"	"	13	234	"	7.00
FZ(*)5090	50	90	"	20	11	220	"	5.00
FZ(*)50110	"	110	"	"	13	260	"	7.00
FZ(*)6090	60	90	"	22	11	242	"	5.00
FZ(*)60110	"	110	"	"	13	286	"	7.00
FZ(*)80130	80	130	"	28	15	420	"	9.00